



September 17, 2001

DN-6840 • F-710

NBG-12LR and NBG-12LRA Dual-Action Agent Release Stations

Section: Releasing Panels

GENERAL

The NBG-12LR and NBG-12LRA are Agent Release Stations designed for use with NOTIFIER Fire Alarm Control Panels with releasing capabilities and RP Series Releasing Systems.

FEATURES

- Non-coded, dual action operation.
- Made with durable polycarbonate.
- Optional surface backbox.
- **NBG-12LRA includes:**
 - ✓ Abort switch.
 - ✓ Power-on indication.
 - ✓ Released indication.
 - ✓ Manual release (dual-action).
- **NBG-12LR includes:**
 - ✓ Dual-action release only.

APPLICATIONS

The NBG-12LRA and NBG-12LR are ideal for areas such as clean rooms and computer rooms where a chemical agent is used to extinguish a fire.

PRODUCT LINE INFORMATION

NBG-12LRA	Agent release station with abort switch, Release LED, Normal LED.
NBG-12LR	Dual-action agent release station.
SBA-10	Surface backbox for NBG-12LRA.
SB-10	Surface backbox for NBG-12LR.



California
State Fire
Marshal

7150-0028:199



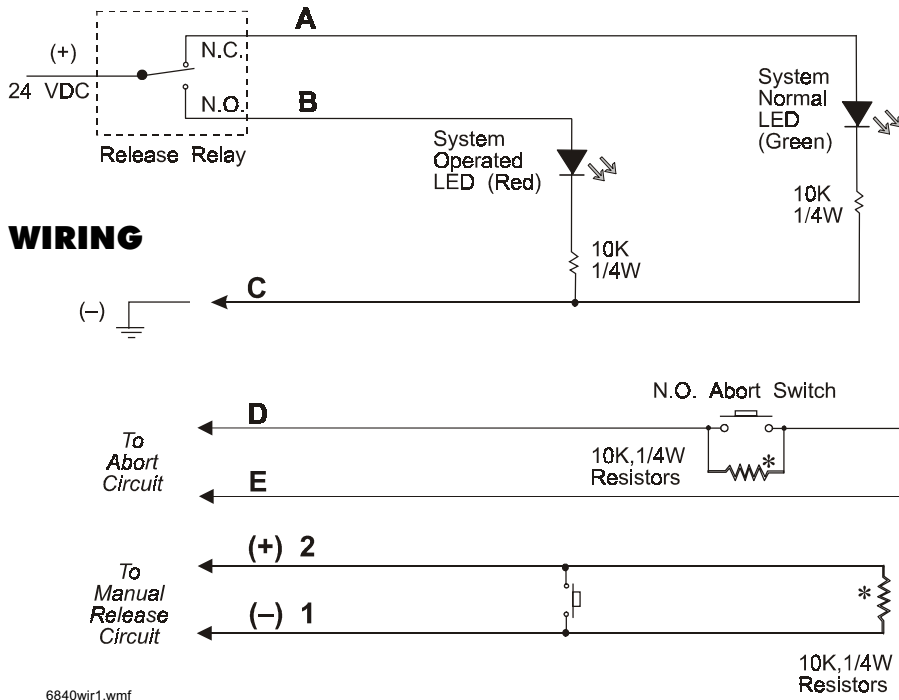
Dual-Action NBG-12LRA
(shown activated)

This document is not intended to be used for installation purposes. We try to keep our product information up-to-date and accurate. We cannot cover all specific applications or anticipate all requirements. All specifications are subject to change without notice. For more information, contact NOTIFIER. Phone: (203) 484-7161 FAX: (203) 484-7118



NOTIFIER® 12 Clintonville Road, Northford, Connecticut 06472

ISO 9001
CERTIFIED
ENGINEERING & MANUFACTURING



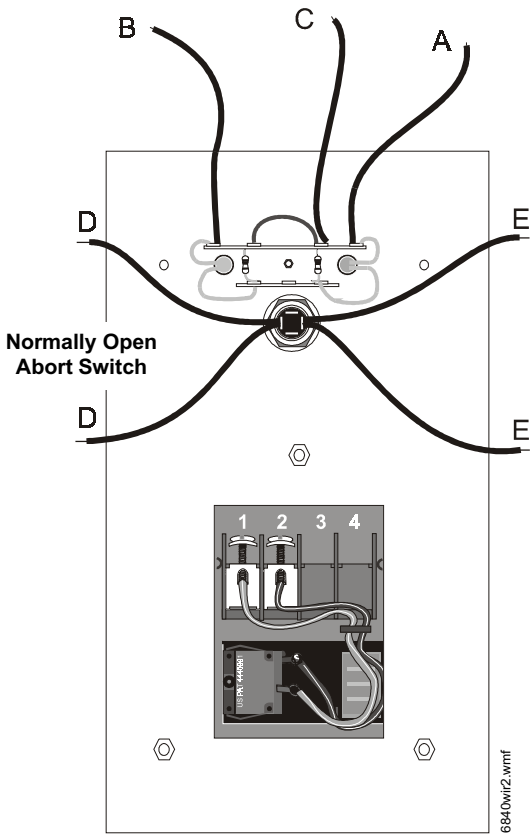
6840wir1.wmf

***NOTE:** Mount End-of-Line Resistor on the last unit.

*Mount 4.7K ELR on the last unit when abort switch and manual release switch are connected to control panel circuits. Mount 47K resistor on last unit when abort switch and manual release switch are connected to monitor module or control module. Refer to control panel manual for the listed ELR. Refer to the following documents when connecting to the control panel: S-500/TC-2 (P/N 15019/15023); S-5000/TCM-2 (P/N 15583/15805); RP-1002 (P/N 15151); AFP-200 (P/N 15511), AFP-400 (P/N 50253).



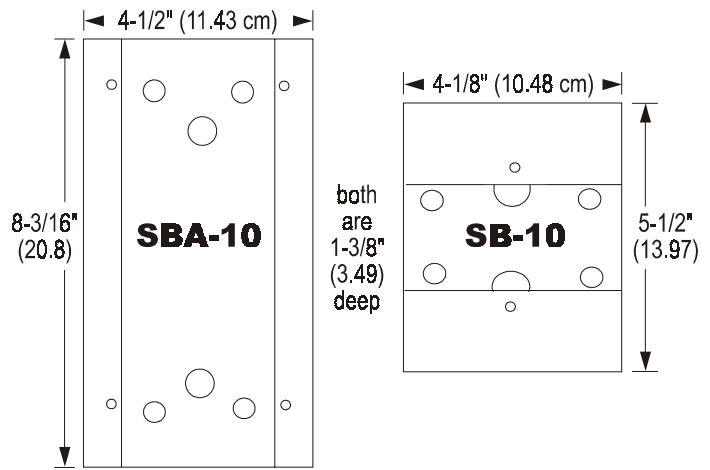
Dual-Action NBG-12LR



**NBG-12LRA (rear view)
Agent Release Pull Station**

6840wir2.wmf

DIMENSIONS, BACKBOXES



6840sbba.wmf